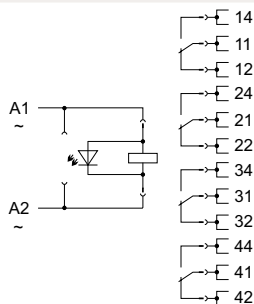
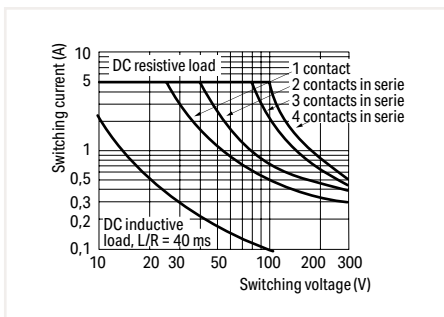
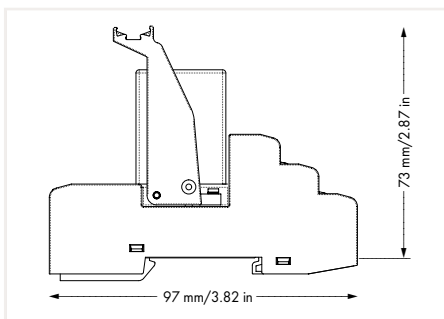


Relay Module 858 Series



Relay Module; 4 changeover contacts; Limiting continuous current: 5 A; manually operated; Status indicator: red; 31 mm wide

U_N	I_N	Item No.	Pack. Unit
24 VAC	50 mA	858-504	5
115 VAC	10 mA	858-507	5
230 VAC	8.3 mA	858-508	5



DC Load Limit Curve

Control Circuit

Input voltage range	-20 ... +10 %
---------------------	---------------

Load Circuit

Number of changeover/switchover contacts	4
Contact material	AgCe
Limiting continuous current	5 A
Inrush current (resistive) max.	15 A (AC) / 4 s
Switching voltage (max.)	250 VAC
Switching power (resistive) max.	1250 VA (AC); DC see load limit curve
Recommended minimum load	12 V / 100 mA
Pull-in time (typ.)	25 ms
Drop-out time (typ.)	35 ms
Bounce time (typ.)	4 ms
Electrical life (NO; resistive load; 23 °C)	100 x 10 ³ switching operations
Mechanical life	20 x 10 ⁶ switching operations

Signaling

Status indicator	Red LED; mechanical
------------------	---------------------

Safety and Protection

Rated voltage	250 V
Rated surge voltage	2.5 kV
Pollution degree	2
Dielectric strength, control/load circuit (AC, 1 min)	1.5 kV _{rms}
Dielectric strength, open contact (AC, 1 min)	1 kV _{rms}
Dielectric strength, load/load circuit (AC, 1 min)	1.5 kV _{rms}
Protection type	IP20

Connection Data

Connection technology	Push-in CAGE CLAMP®
Solid conductor	0.34 ... 1.5 mm ² / 22 ... 16 AWG
Fine-stranded conductor	0.34 ... 1.5 mm ² / 22 ... 16 AWG
Strip Length	9 ... 10 mm / 0.35 ... 0.39 inch
Note (conductor cross section)	2 x 0.34 ... 2 x 1.5 mm ² / 1 x 2.5 mm ² / 2 x 22 ... 2 x 16 AWG

Physical Data

Width	31 mm / 1.22 inch
Height from upper-edge of DIN-rail	73 mm / 2.874 inch
Depth	97 mm / 3.819 inch

Mechanical Data

Mounting type	DIN-35 rail
---------------	-------------

Material Data

Weight	96.1 g
--------	--------

Environmental Requirements

Surrounding air temperature (operation at U_N)	-25 ... +70 °C
Surrounding air temperature (storage)	-40 ... +80 °C
Processing temperature	-25 ... +50 °C

Standards and Specifications

Standards/specifications	EN 61010-2-201; EN 61810-1; EN 61373; UL 508 (max. 50 °C)
--------------------------	-----------------------------------------------------------